

# 12RL2 Submittal

## AOU12RL2, ASU12RL2 Inverter Driven Heat Pump



Job Name: \_\_\_\_\_  
 Location: \_\_\_\_\_  
 Engineer: \_\_\_\_\_  
 Submitted to: \_\_\_\_\_  
 Submitted by: \_\_\_\_\_  
 Reference: \_\_\_\_\_

Approval: \_\_\_\_\_  
 Date: \_\_\_\_\_  
 Construction: \_\_\_\_\_  
 Unit #: \_\_\_\_\_  
 Drawing #: \_\_\_\_\_

**Outdoor Unit Power** 115/VAC-1Ph-60Hz  
 Available Voltage Range 103.5-126.5  
 Fuse Size, Max. 20A  
 MCA 15A

**Compressor** Inverter Driven Variable Speed DC Rotary  
 No. used 1  
 Output 700W  
 Lubrican Oil POE (RB68)

**Fan type** Propeller  
 Motor Output 23W  
 Airflow Rate Cooling/Heating (High) 1013 / 889CFM

**Refrigerant** R410A  
 Outdoor Unit 1lb 12oz  
 Control Electronic Expansion Valve  
 O.D. Discharge (in) 1/4"(Flare)  
 O.D Suction (in) 3/8"(Flare)

**Dimensions** H x W x D  
 Uncrated (in) 21-1/4 x 26 x 11-11/32  
 (mm) (540 x 660 x 290)  
 Crated (in) 24-1/16 x 31-3/8 x 15-25/32  
 (mm) (611 x 797 x 401)

**Weight** Outdoor  
 Net 69lbs (31kg)  
 Gross Shipping 73lbs (33kg)

**Cooling**  
 Rated Capacity 12,000BTU/h  
 Min-Max Capacity 3,100~12,500BTU/h  
 Rated Power Input 1.20kw  
 Max. Power Input 1.44kw  
 SEER 16  
 EER 10.0  
 Outdoor Sound Rating 51dB

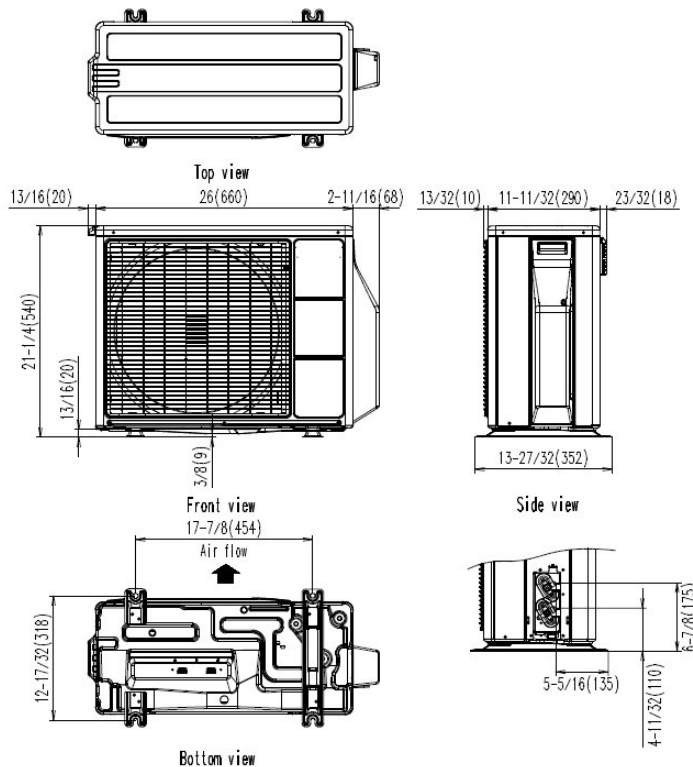
**Heating**  
 Rated Capacity 14,000BTU/h  
 Min-Max Capacity 3,100~16,000BTU/h  
 Rated Power Input 1.21kw  
 Max. Power Input 1.66kw  
 HSPF 9  
 EER 11.5  
 Outdoor Sound Rating 51dB

**Piping Lengths**  
 Max. Piping Length (Total) 66ft  
 Max. Pipe Height Difference 49ft  
 Connection method (Flared)

**Operating Range**  
 Cooling 15°F~115°F DB  
 Heating 15°F~75°F DB

Fujitsu General America, Inc.  
 Fairfield, NJ 07004  
 Toll Free: 1-888-888-3424  
 Fax: (973) 836-0447  
 www.fujitsugeneral.com

Fujitsu products are subject to continuous improvements. Fujitsu reserves the right to modify product design, specifications and information in this data sheet without notice and without incurring any obligations.



Note: Specifications are based on the following conditions.

Power source of specifications : 230V

Cooling: Indoor temperature of 80°F(26.67°C)DB / 67°F(19.44°C)WB, and outdoor temperature of 95°F(35°C)DB/75°F(23.89°C)WB.

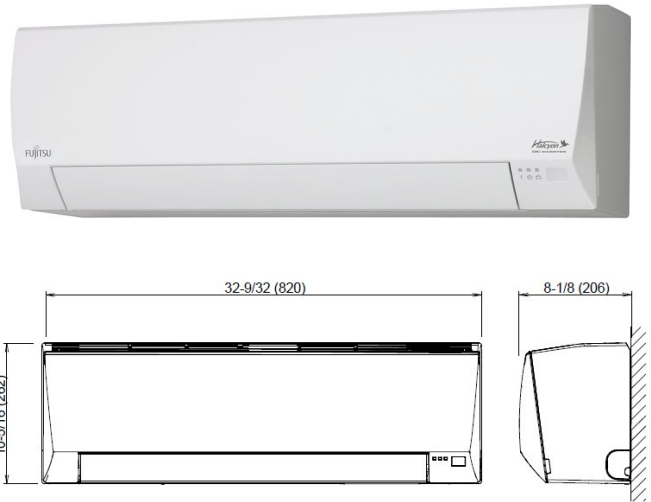
Heating: Indoor temperature of 70°F(21.11°C)DB / 60°F(15.56°C)WB, and outdoor temperature of 47°F(8.33°C)DB/43°F(6.11°C)WB.

Pipe length : 24ft. 7in.(7.5m), Height difference : 0 ft.(0m) [Outdoor unit - Indoor unit]





|                                |                  |                              |
|--------------------------------|------------------|------------------------------|
| <b>Indoor Unit Power</b>       | 115/VAC-1Ph-60Hz |                              |
| <b>Available Voltage Range</b> | 103.5-126.5VAC   |                              |
| <b>Fan type</b>                | Cross flow       |                              |
| <b>Motor Output</b>            | 28W              |                              |
| <b>MCA</b>                     | 1.0A             |                              |
| <b>Sound Pressure Level</b>    |                  |                              |
| Cooling                        | Lo-Hi            | 23-43dB                      |
| Heating                        | Lo-Hi            | 23-43dB                      |
| <b>Airflow rate</b>            |                  |                              |
| Cooling                        | Lo-Hi            | 191-424CFM                   |
| Heating                        | Lo-Hi            | 191-436CFM                   |
| <b>Dimensions</b>              | H x W x D        |                              |
| Uncrated                       | (in)             | 10-5/16 x 32-9/32 x 8-1/8    |
|                                | (mm)             | (262 x 820 x 206)            |
| Crated                         | (in)             | 10-11/32 x 34-1/4 x 12-29/32 |
|                                | (mm)             | (263 x 870 x 328)            |
| <b>Weight</b>                  | Indoor           |                              |
| Net                            | 16lbs (7kg)      |                              |
| Gross Shipping                 | 20lbs (9kg)      |                              |



Fujitsu General America, Inc.  
 Fairfield, NJ 07004  
 Toll Free: 1-888-888-3424  
 Fax: (973) 836-0447  
 www.fujitsugeneral.com

Fujitsu products are subject to continuous improvements. Fujitsu reserves the right to modify product design, specifications and information in this data sheet without notice and without incurring any obligations.

